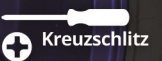
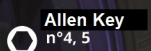


Montage Hinterradabdeckung - Rear Hugger instructions

6529975

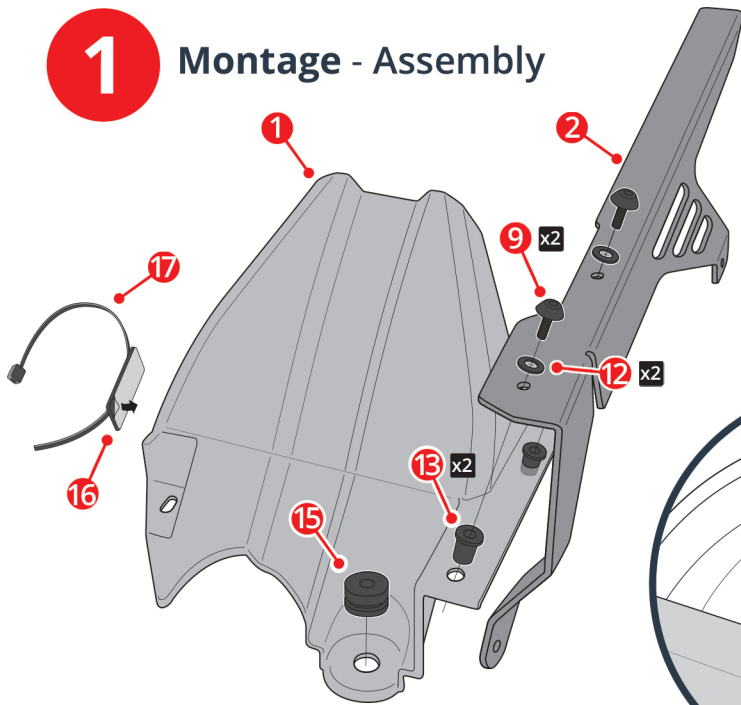


Nr	TEILE / PARTS	MENGE	BESCHREIBUNG	DESCRIPTION
1		x1	Hinterradabdeckung	Ermix rear hugger
2		x1	Aluminium Kettenschutz	Aluminium Ermax chain guard
3		x1	Original Kunststoffniet	Original nylon insert
4		x1	Originale Metalldistanz	Original steel spacer
5		x2	Originale Fußrastenschraube	Original platinum footrest screw
6		x1	Originale M6 x 25 Schraube	M6 x 25 Original BHc screw
7		x1	schwarze originale M6 x 20 Schraube	M6 x 20 Original black BHc screw
8		x2	Aluminiumschraube M6 x 30	M6 x 30 Black alu. BHC screw
9		x2	Schraube M5 x 15	M5 x 15 Black steel BHC screw
10		x2	konische Unterlegscheibe Ø6	Ø6 Steel conical washer
11		x1	Kunststoffunterlegscheibe Ø6	Ø6 Nylon washer
12		x2	Kunststoffunterlegscheibe Ø5	Ø5 Nylon washer
13		x2	Gummidübel Ø5	Ø5 Rubber insert
14		x1	Kunststoffdistanz Ø6 20x15	Ø6 20x15 Plastic spacer
15		x1	Vibrationsvernichter	Silent block
16		x1	Schlauchhalter	Large model necklace sticker
17		x1	Kabelbinder 100 mm	Plastic collar 100 mm

Montage Hinterradabdeckung - Rear Hugger instructions

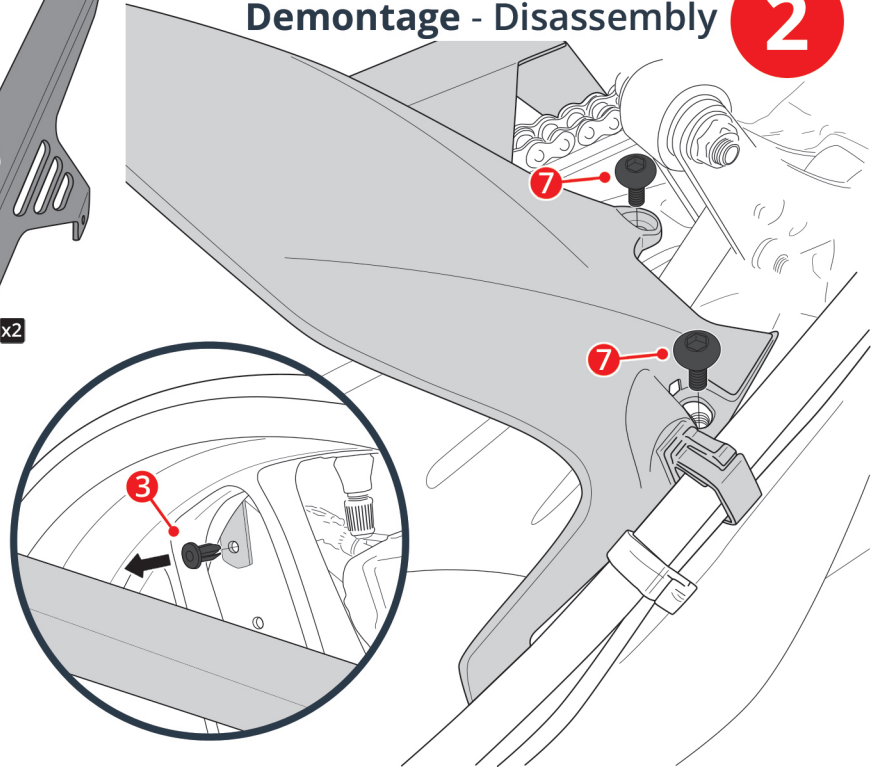
6529975

1 Montage - Assembly

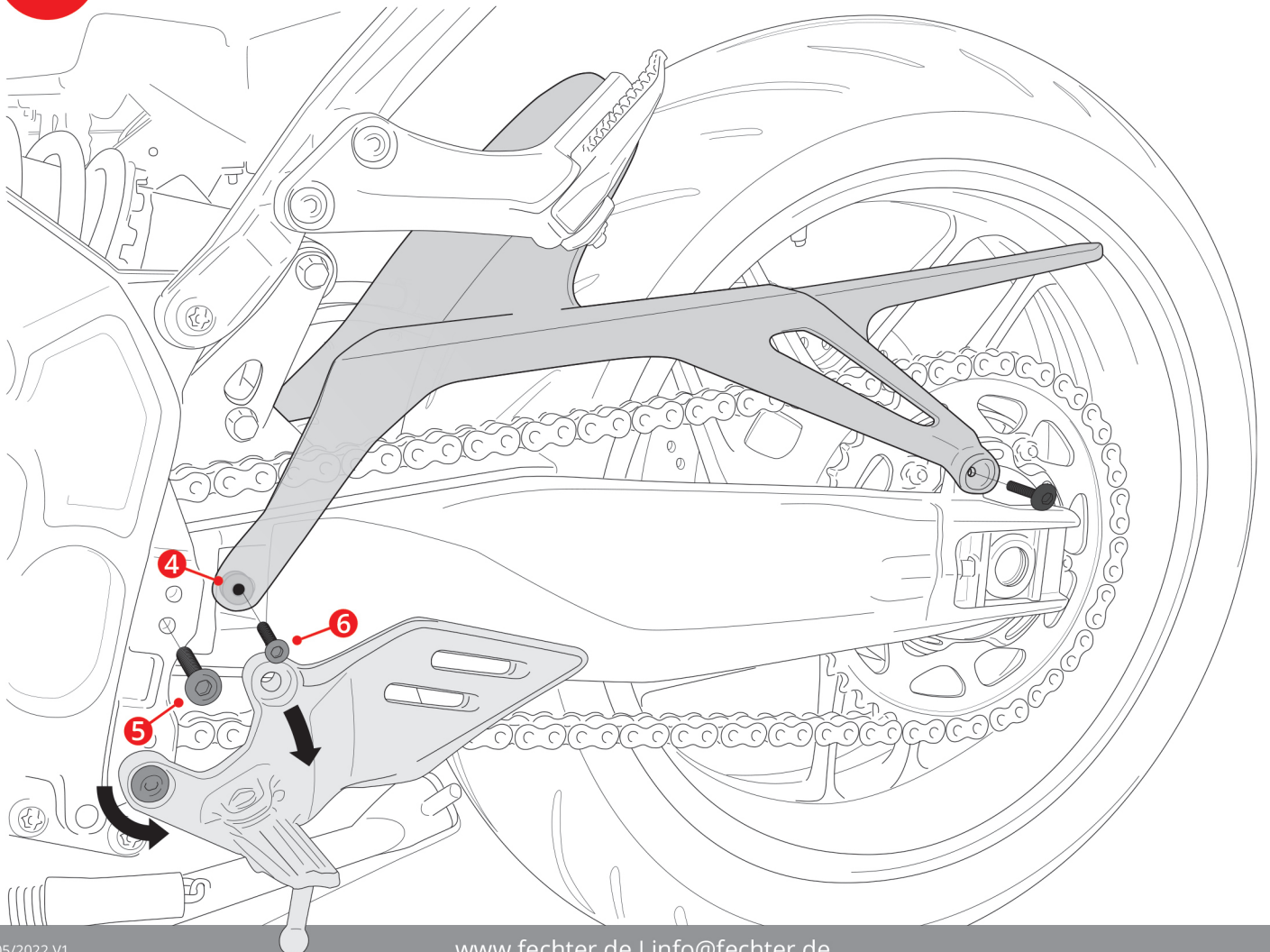


Demontage - Disassembly

2



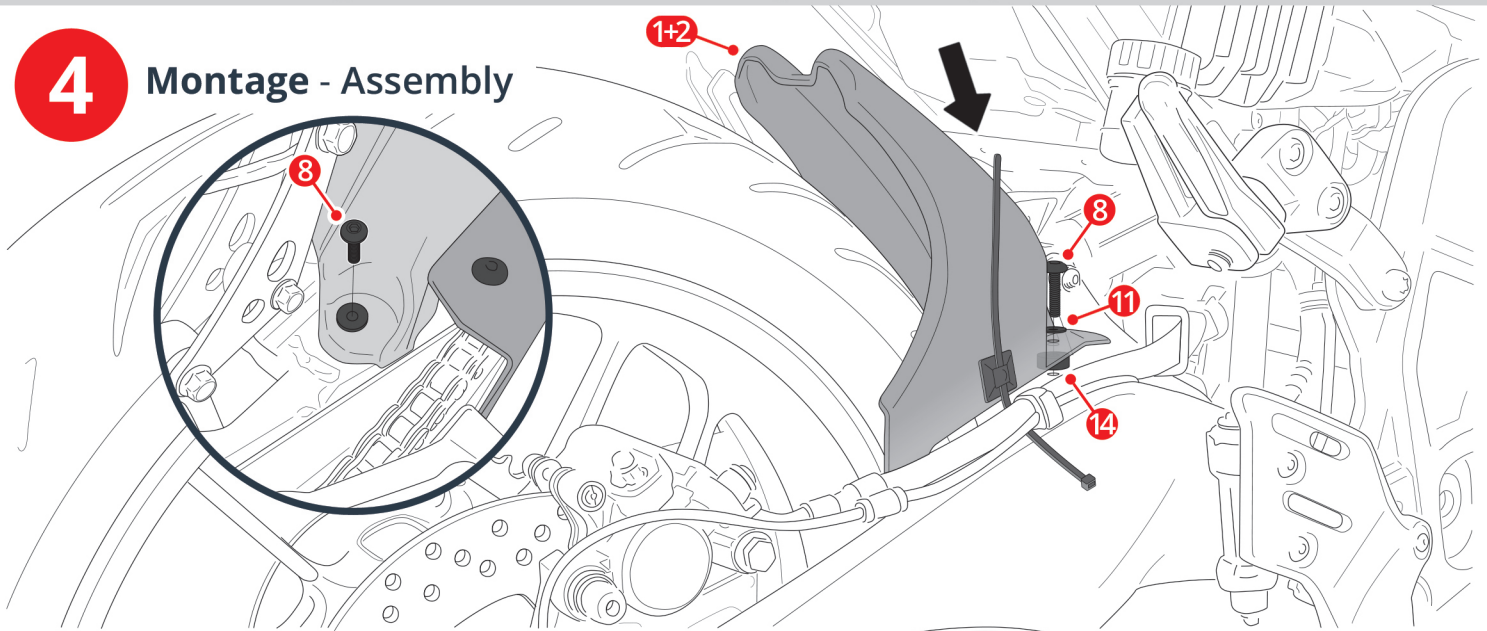
3 Demontage - Disassembly



Montage Hinterradabdeckung - Rear Hugger instructions

6529975

4 Montage - Assembly



Montage - Assembly

5

